

Express[®]

Fast charge solutions that WORK!

MEASURE  POWER  REPORT  SUPPORT



TwinMAX[®]

Powerful. Proven. Trusted.

The TwinMAX[®] is the only dual fast charger that allows you to simultaneously charge two batteries at up to 500 amps each. Its multi-voltage, multi-amp hour, high frequency design can grow with your needs, while providing:

- Low infrastructure cost
- High efficiency rating
- Stands, cables and everything you need right out of the box

Drivers simply drive up and plug in – the TwinMAX charger does the rest, automatically keeping your battery fleet charged and equalized.

PART OF THE ZERO BATTERY CHANGESM SOLUTION



TwinMAX®

| MODELS | TwinMAX 10 | TwinMAX 15 | TwinMAX 20 | TwinMAX 30 |
|------------------------------------|---------------------|---------------|---------------|------------|
| Maximum Output Power | 20 kW | 30kW | 40kW | 60kW |
| Maximum Output Power Per Station | 10 kW | 15 kW | 20kW | 30kW |
| Maximum Output Current Per Station | @ 24V 250 Amps | 320 Amps | 500 Amps | 500 Amps |
| | @ 36V 250/215* Amps | 320 Amps | 500/430* Amps | 500 Amps |
| | @ 48V 200/165* Amps | 320/260* Amps | 500/320* Amps | 500 Amps |
| | @ 72V 140/115* Amps | 210/175* Amps | 350/230* Amps | 350 Amps |
| | @ 80V 120/100* Amps | 180/150* Amps | 300/200* Amps | 300 Amps |

*Power sharing feature: max current value for single vehicle charging / max current value for dual vehicle charging

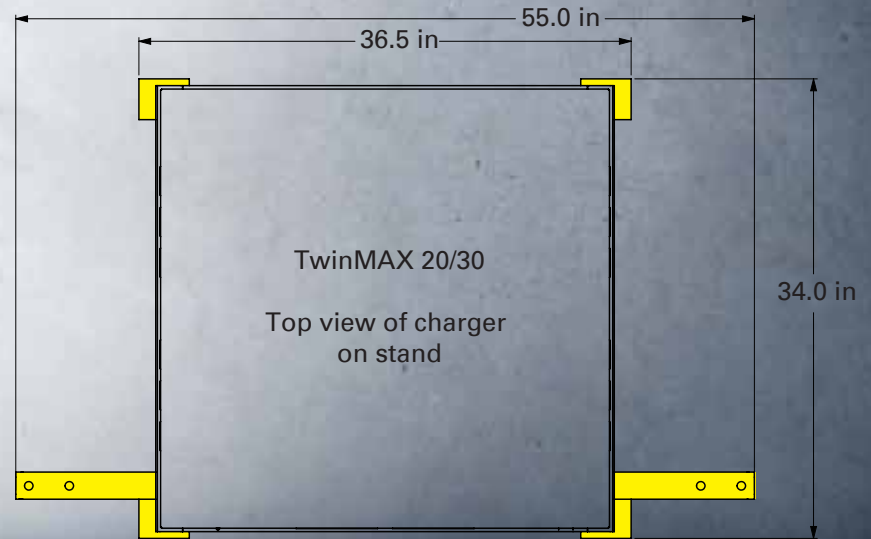
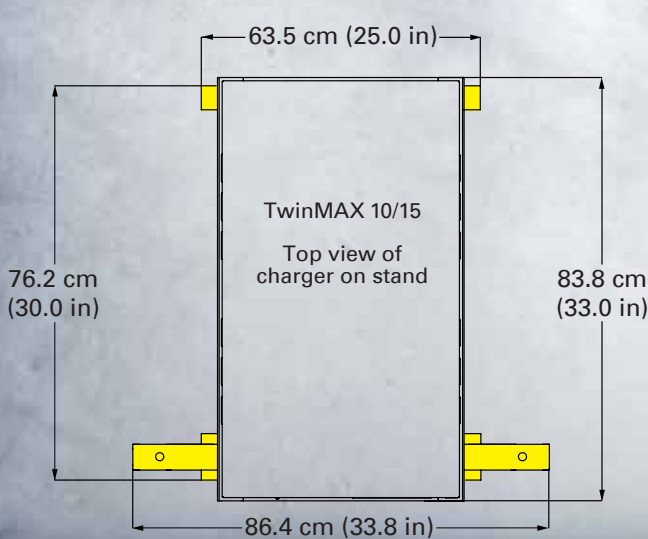
UTILITY REQUIREMENTS

| | | | | |
|-----------------------------|---------|---------|---------|---------|
| 480VAC, 60Hz, 3Ø (Max Draw) | 29 Amps | 43 Amps | 57 Amps | 73 Amps |
| 600VAC, 60Hz, 3Ø (Max Draw) | 23 Amps | 34 Amps | 46 Amps | 57 Amps |

Recommended breaker: Square D type EDB or equivalent. Recommended fuse: Busmann type FRSR or equivalent

BOTH UNITS

| | | | | |
|-------------------------------|----------------------------------------------------------------------|-----------------------|---------------------------------------------------|-----------------------|
| Efficiency | 92% | | | |
| Power Factor | ~0.95 @ Max Load | | | |
| Compatible Battery Type | Lead acid-flooded cell, 24 to 80 volts | | | |
| Power Device | High Frequency IGBT | | | |
| Control | Manual to fully automated control of charge, finish and equalization | | | |
| Operating Temperature | 32° F to 104° F (0° C to 40° C) | | | |
| Enclosure | NEMA 1 | | | |
| Display | Backlit LCD | | | |
| Certifications | UL/cUL: TwinMAX 10/15/20/30; | | California Energy Commission (CEC): TwinMAX 10/15 | |
| Data Capability | Charge event data uploaded via Bluetooth® or ExpressLink™ | | | |
| Weight | 460 lbs | 570 lbs | 1100 lbs | 1150 lbs |
| Dimensions W x D x H (inches) | 22.5" x 33.0" x 27.4" | 22.5" x 33.0" x 27.4" | 33.0" x 32.0" x 52.0" | 33.0" x 32.0" x 52.0" |
| With Stand | 33.8" x 33.0" x 62.0" | 33.8" x 33.0" x 62.0" | 55.0" x 34.0" x 74.0" | 55.0" x 34.0" x 74.0" |
| Warranty | 2 years parts and labor on electronic components | | | |
| | 5 years parts only on diodes and IGBT | | | |
| | 10 years parts only on main transformer | | | |



EnerSys®

Power/Full Solutions

EnerSys WORLD HEADQUARTERS
2366 Bernville Road
Reading, PA 19605
+1-800-EnerSys
Fax: +1 610-372-8613
www.enersys.com

EnerSys CANADA INC.
61 Parr Boulevard Unit 3
Bolton, Ontario • Canada L7E 4E3
+1-800-363-4877
Fax: +1 905-951-4441

EnerSys DE MEXICO S de RL de CV
Ave Lopez Mateos #4210
Colonia Casa Blanca • C.P. 66475
San Nicolas de los Garza, N.L. Mexico
+52-818-329-6400
Fax: +52-818-329-6489